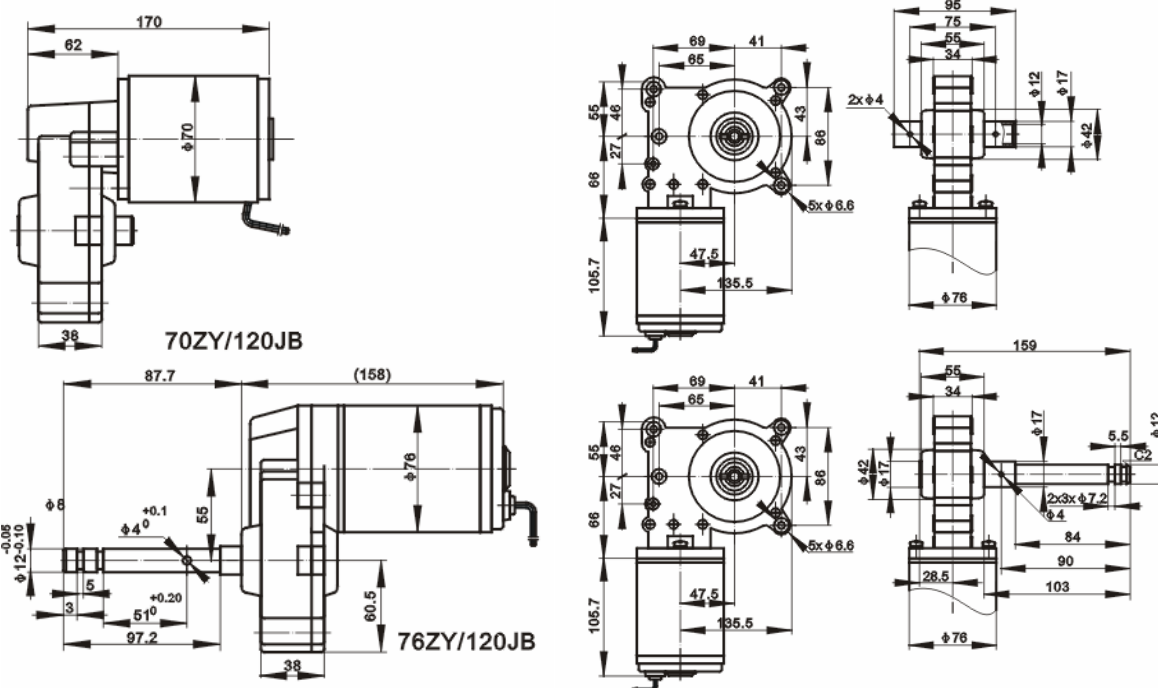


The PMDC motor has such features: low noise, small vibration, long-using time.



Type	Rated voltage V	Rated power W	Current A		Speed r/min		Rated torque mN.m
			No load	Load	No load	Load	
70ZY12-110/ 120JB22G17(12)	12	110	≤1,5	≤15	4000	3200	403
70ZY12-150/ 120JB22G17(12)	12	150	≤1,9	≤20	3200	2400	446
76ZY12-110/ 120JB22G17(12)	12	110	≤1,5	≤15	3400	2400	433
76ZY12-125/ 120JB22G17(12)	12	125	≤1,5	≤17	3400	2000	597
76ZY12-150/ 120JB22G17(12)	12	150	≤1,9	≤20	4000	3200	446
76ZY12-140/ 130WJ26G17	12	140	≤1,9	≤20	4000	3300	405

UGAB Components AB

Box 64
SE-243 22 Höör

Telefon
+46 (0)413-245 40

Telefax
+46 (0)413-231 83

E-post
post@ugab.se

URL
www.ugab.se